

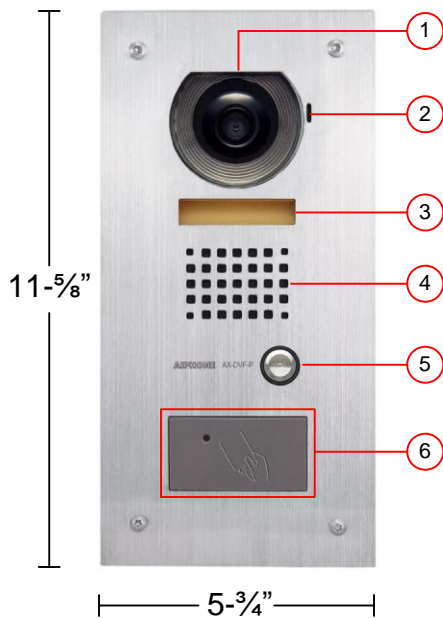
AX-DV(F)-P

Vandal Resistant Color Video Door Station
With Built in Proximity Card Reader

- INSTRUCTIONS -

The AX-DV-P and AX-DVF-P are AX-series color video door stations with an HID ProxPoint Plus Card Reader built into the same housing. The card reader provides electronic access to a building through a separate Access Control System, which is not supplied by Aiphone.

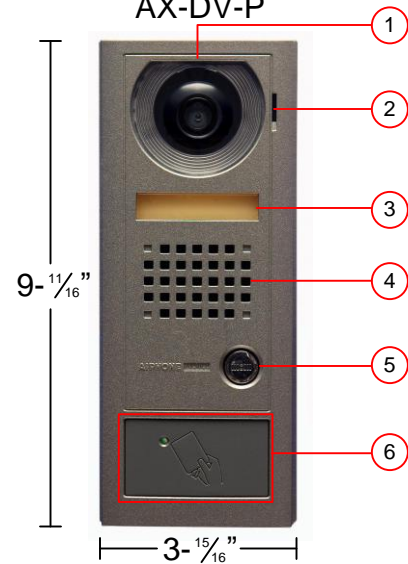
AX-DVF-P



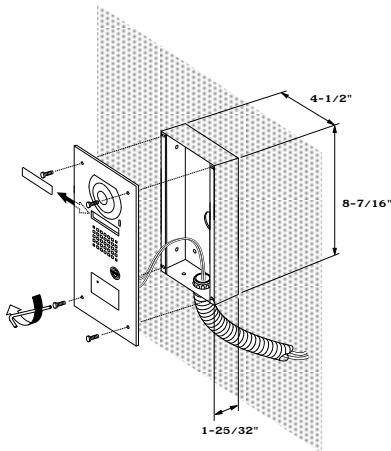
NAMES & FUNCTIONS:

1. Camera
2. Microphone
3. Name placard
4. Speaker
5. Call button
6. HID ProxPoint Plus Reader (6005B)

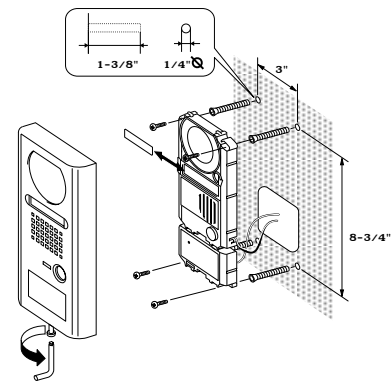
AX-DV-P



MOUNTING & INSTALLATION:



AX-DVF-P: Provide a wall surface opening for rough-in backbox (supplied), using dimensions shown. Note: If surface mount is required, use the Aiphone SBX-DVF-P (sold separately).



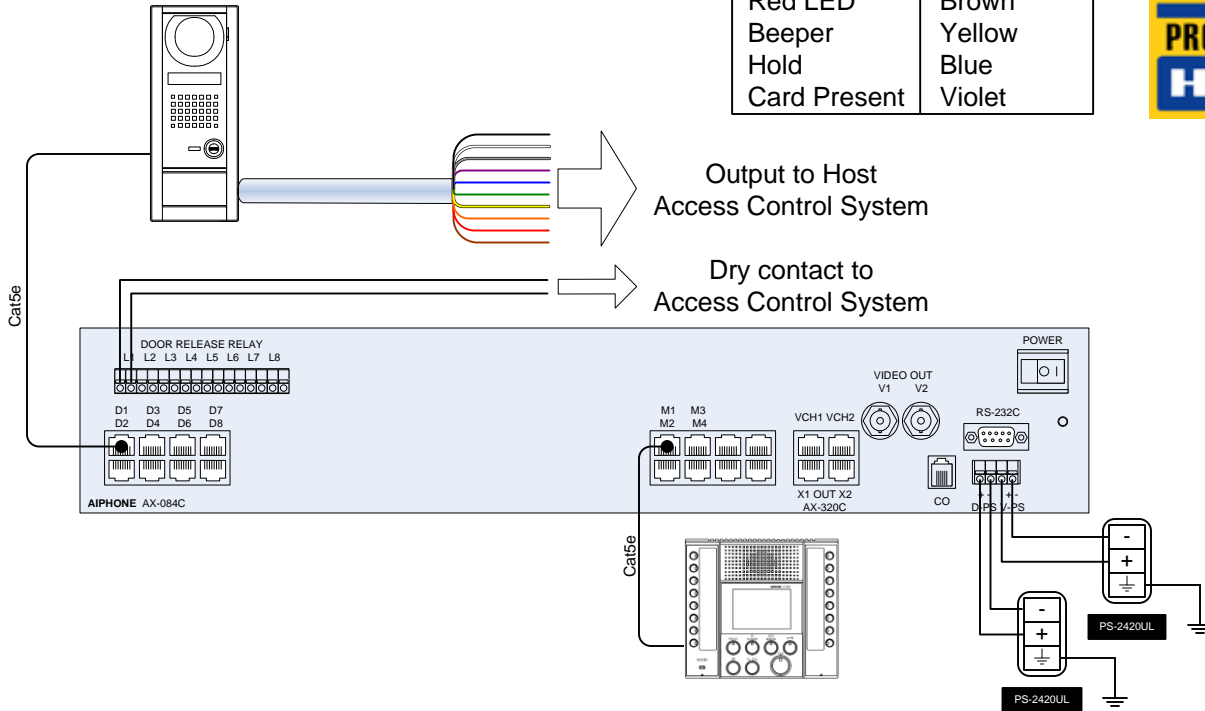
AX-DV-P: Provide mounting box or wall opening sufficient for both the CAT-5e cable (from the AX CEU) and the HID card reader wire pigtail.

WIRING DIAGRAM:

Connect the reader to the host according to the wiring table at right and the host installation guide.

20" pigtail cable

Wiegand	Wire Color
+ DC (5-16V)	Red
Ground	Black
Data0	Green
Data1	White
Shield Ground	Drain
Green LED	Orange
Red LED	Brown
Beeper	Yellow
Hold	Blue
Card Present	Violet



TESTING AND OPERATION:

- When power is applied to the card reader, the LED will flash green three (3) times while the beeper beeps simultaneously. The LED will then turn red. This indicates that the microcontroller is operating properly.
- Present an ID card to the reader. (Hold card directly in front of reader.) The LED will momentarily turn green while the beeper beeps once, indicating that the card was read successfully.

SPECIFICATIONS:

CARD READER:

Model: HID 6005B
 Power Source: 5 ~ 16V DC
 Current Requirements: 30mA (Avg); 75mA (peak)
 Transmit Frequency: 125 kHz
 Card Formats: Up to 85 bits
 Terminations: Color-coded pre-wired pigtail
 Wiring Distance: 500' to Host
 Operating Temperature: -10° ~ 60°C / 14° ~ 140°F
 Operating Humidity: 0-95% relative humidity non-condensing

VIDEO DOOR STATION:

Camera unit: CCD Camera
 Scanning line: 525 lines
 Min. illumination: 5 Lux at 1' or less
 Terminations: RJ45
 Operating Temperature: -10° ~ 60°C / 14° ~ 140°F
 Wiring Distance: 980' with Cat5e
 Dimensions:
 AX-DV-P: 3-15/16" W x 11-11/16" H x 1" D
 AX-DVF-P: 5-3/4" W x 11-5/8" H x 1-7/8" D
 With SBX-DVF-P: 5-15/16" W x 11-3/4" H x 2-13/16" D (Top) 1-15/16" D (Bottom)

Aiphone Communication Systems
 1700 130th Ave. N.E.
 Bellevue, WA 98005
 (425) 455-0510
 FAX (425) 455-0071

TOLL FREE TECHNICAL SUPPORT:
 (800) 692-0200
 E-MAIL: tech@aiphone.com